

## LOW FREQUENCY SPLIT PHASE SOLAR INVERTER PV3900 TLV Series

8~12KW | PV 250V | MPPT 200A

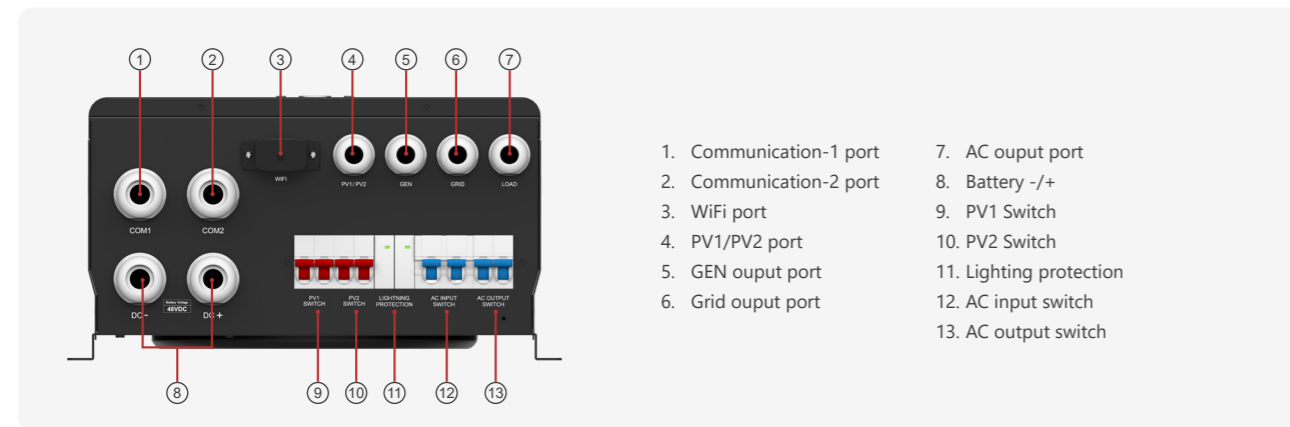
PV3900 TLV series is a multi-function inverter, combining functions of inverter and MPPT solar charge controller, solar charger and battery charger to offer uninterruptible power support. The comprehensive LCD display offers user-configurable and easy-accessible button operation such as battery charging current, AC/solar charger priority, and selectable input voltage based on different applications.



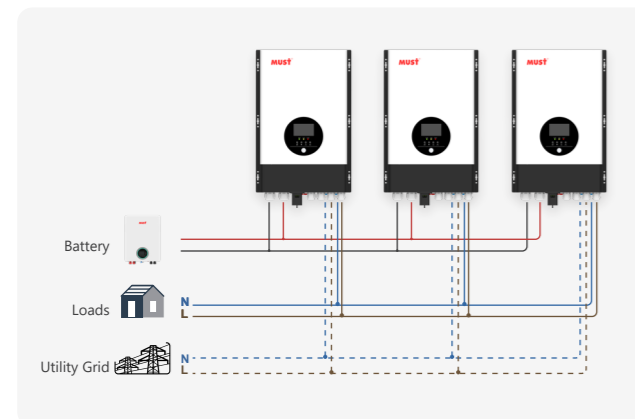
- Smart LCD setting(Working modes, Charge Current, Charge voltage, etc.)
- Built-in MPPT solar charge controller 200A
- MPPT efficiency max 98%
- Powerful charge rate up to 200A
- Inside BMS function
- DC start &Automatic Self-Diagnostic Function
- WIFI monitoring function (optional)
- Compatible to generator
- Parallel operation with up to 3 units



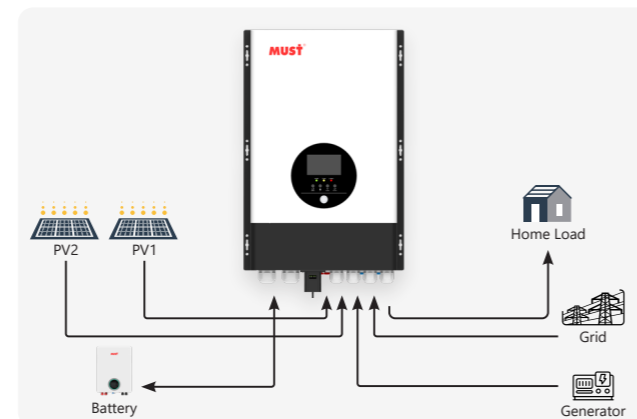
### Back panel description



### Parallel operation



### Solar system connection



MODEL	PV39-8048 TLV	PV39-10048 TLV	PV39-12048 TLV
Nominal Battery System Voltage	48VDC		
Stand-alone mode	Yes		
Parallel operation	3 units		
<b>INVERTER OUTPUT</b>			
Rated power	8KW	10KW	12KW
Surge rating	24000VA	30000VA	36000VA
Capable of starting electric motor	4HP	5HP	6HP
Waveform	Pure sine wave / same as input (bypass mode)		
Nominal output voltage RMS	100V/110V/120V/200V/220V/240V		
Inverter efficiency(peak)	>90%		
Line mode efficiency	>95%		
Power factor	1.0		
Typical transfer time	10ms(max)		
<b>AC INPUT</b>			
Voltage	220V/230V/240V		
Selectable voltage range	90-280 VAC (APL)		
Frequency range	50Hz / 60Hz		
<b>BATTERY</b>			
Low battery voltage cutoff	40-48VDC for 48VDC mode		
Low battery voltage recover	42-50VDC for 48VDC mode		
High battery voltage cutoff	60VDC for 48VDC mode		
High battery voltage recover	57VDC for 48VDC mode		
No-load loss	<50W		
<b>AC CHARGER</b>			
Output voltage	Depends on battery type (Supports lead-acid, gel, and lithium batteries)		
Charger AC input breaker rating	100A		
Overcharge protection S.D.	62.8VDC for 48VDC mode		
Maximum charge current	10~100A	10~120A	10~140A
<b>BTS</b>			
Continuous output power	Yes Variances in charging voltage & S.D. voltage base on the battery temperature		
<b>BYPASS &amp; PROTECTION</b>			
Input voltage waveform	Sine wave (grid or generator)		
Nominal input frequency	50Hz or 60Hz		
Overload protection (SMPS Load)	Software + Circuit breaker		
Output short circuit protection	Software + Circuit breaker		
Bypass breaker rating	63A		
Max bypass current	80A		
<b>SOLAR CHARGER</b>			
Maximum PV charge current	200A		
DC voltage	48V		
Maximim PV array power	10000W	10000W	10000W
MPPT range @ operating voltage(VDC)	64~235VDC		
Maximum PV array open circuit voltage	250VDC		
Maximum efficiency	>98%		
Standby power consumption	<2W		
<b>MECHANICAL SPECIFICATIONS</b>			
Mounting	Wall mount		
Packing	Wooden box		
Machine Dimension (W*H*D)(mm)	439*660.5*233.2		
Package Dimension (W*H*D)(mm)	782*314.5*520.5		
N.W(kg)	55	62	69
G.W(kg)	73	80	87
<b>OTHER</b>			
Operation temperature range	0°C to 50°C		
Storage temperature	15°C to 60°C		
Audible noise	60dB MAX		
Communication	WiFi		
Display	LED+LCD		
Standard Warranty	2 year		
<b>CERTIFICATION &amp; STANDARDS</b>			
CE-LVD (IEC62109-1:2010, EN IEC62109-2:2011); UL1741			

\*The technical specifications of this document are subject to change without any notice